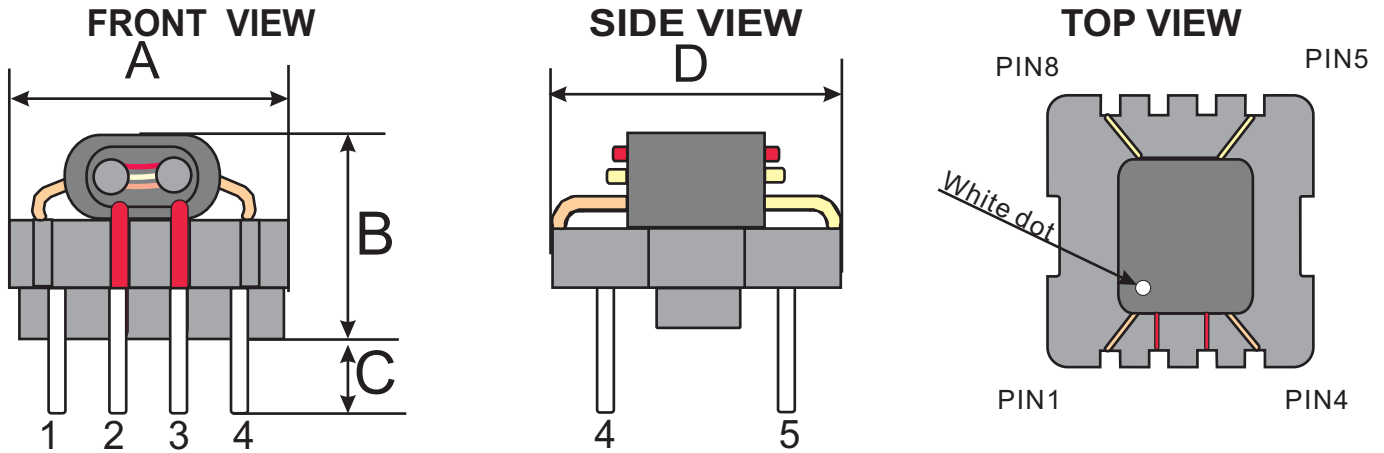
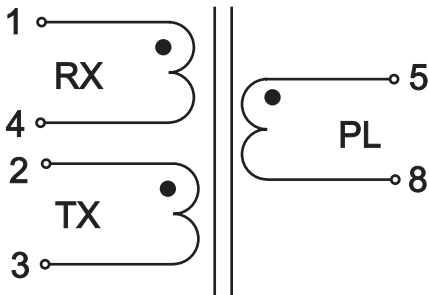


### 1. Mechanical Dimensions:



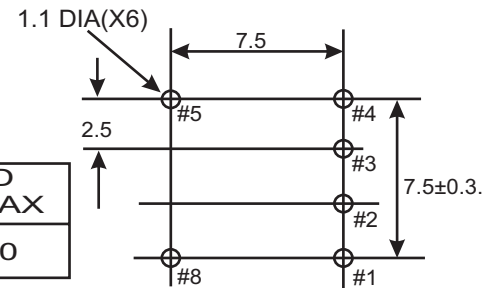
### 2. Schematic:



Unit: mm

A MAX	B MAX	C +/-0.5	D MAX
12.5	9.5	3.5	13.0

PC BOARD LAYOUT GRID  
Unit: mm Tolerances: +/-0.2



### 3. Electrical Characteristics :

Specifications: at 25 degree C. Operating Temperature -40 to +85°C

NO.	ITEM	TEST CONDITION	SPECIFICATION
1	Inductance	(1-4)@ 2MHz, 0.1V	27uH TYP..
2	Inductance	(2-3)@ 2MHz, 0.1V	1.8uH TYP.
3	Inductance	(5-8)@ 2MHz, 0.1V	15uH TYP.
4	Leakage Inductance	(2-3)@2MHz, 0.1Vac shorted (5-8)	15nH MAX
5	DCR	(1-4) @25°C	60 mΩ Max
6	DCR	(2-3) @25°C	10mΩ Max
7	DCR	(5-8) @ 25°C	50 mΩ Max
8	T/R	(2-3):(1-4):(5-8)	1:4:3
9	HI-POT	(5-8)TO (1,2,3,4)	1500Vac 1mA,2Sec
9	HI-POT	(1-4)TO (2-3)	500Vac 1mA,2Sec

\* Frequency range: 2-30MHz.